

VORTICE 300/12" AR-LL-S (12415)

GENERAL DATA



Axial reversible supply and extract fans

Pull cord (P) versions extract only

Versions:

P = Pullcord

LL = Long Life

AR = reversible

S = shutter

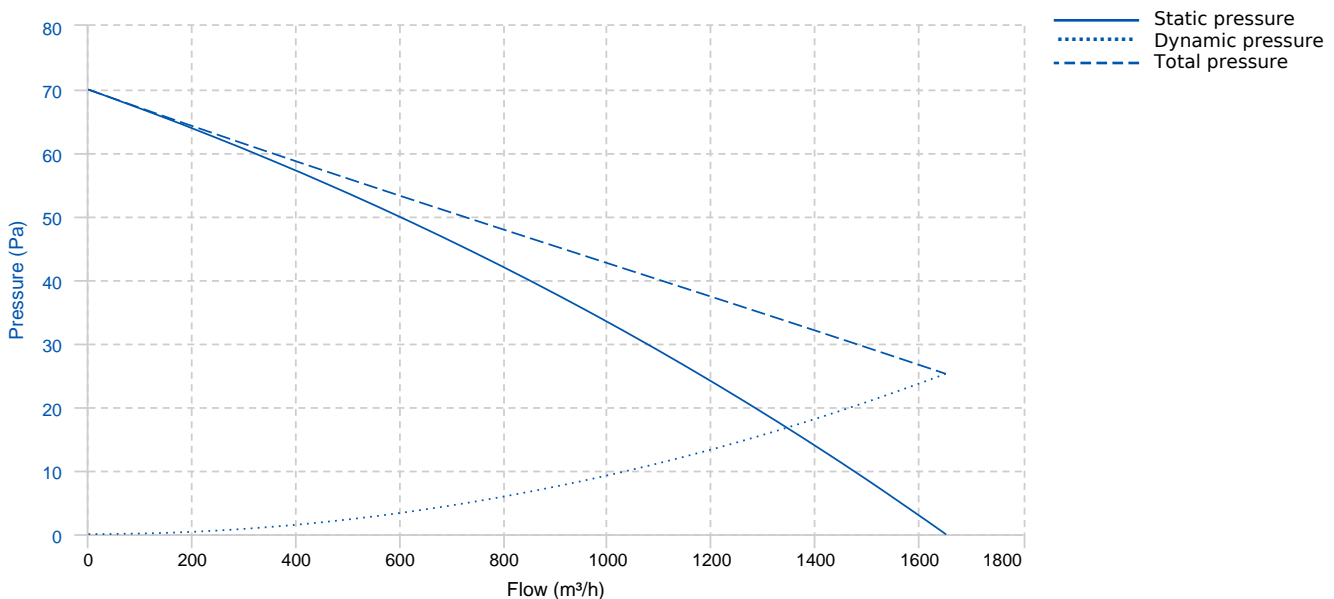
Sensors available

IPX4 rated

• **For intermittent or continuous ventilation of bathrooms, toilets, kitchens or utility rooms in domestic or commercial properties.**

- Motor with shielded poles, with bronze bearing and thermal cut-out.
- IMQ data label ensures data and performance is third party certified.
- High airflow rate, low operating noise level and low power consumption due to the wing profile blade and motor support.
- IPX4 splashproof protection.
- Motor support and grille made of anti-UV ABS.
- Conforms to the following standards: CEI EN 60335-2-80 (Part 2: Particular requirements for fans), CEI EN 60529 (Code IP) and CEI 107-53/1986.

PERFORMANCE CURVE

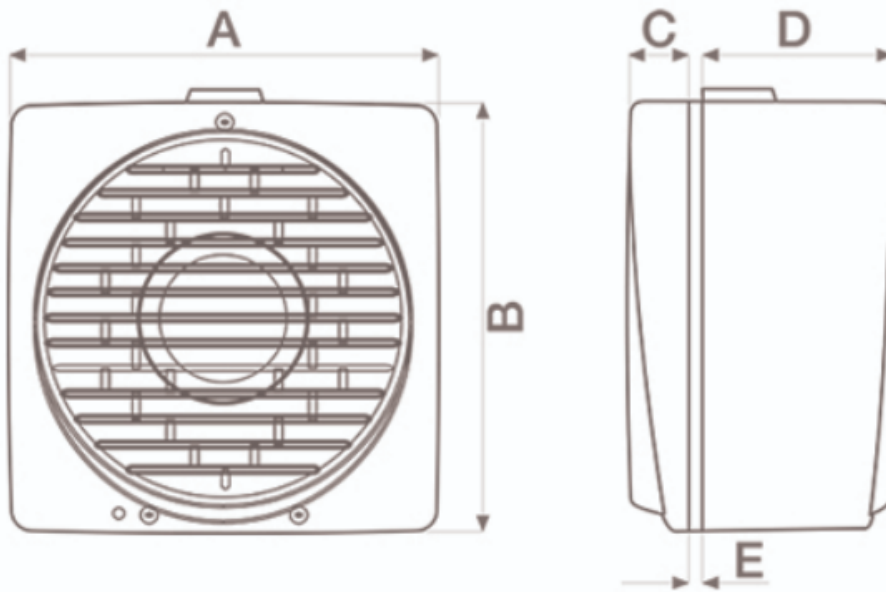


TECHNICAL DATA

Fan

RPM	-	Approx. weight	6.13 kg	Max. Flow	1650 m ³ /h
-----	---	----------------	---------	-----------	------------------------

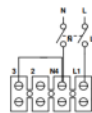
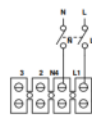
DIMENSIONS



Dimensions (mm)

A	390	B	393	C	31	D	147	E	2/38
---	-----	---	-----	---	----	---	-----	---	------

WIRING DIAGRAM



- A) Morsetiera
- B) Interruttore bipolare

VARIO 150/6"P - VARIO 230/9"P

VARIO 150/6" AR-ARI - 230/9"AR - ARI - 300/12" AR - ARI
ESTRAZIONE

VARIO 150/6" AR-ARI - 230/9"AR - ARI - 300/12" AR - ARI
VENTILAZIONE

