

VORT-MEX 120/5" LL 1S T (11334)

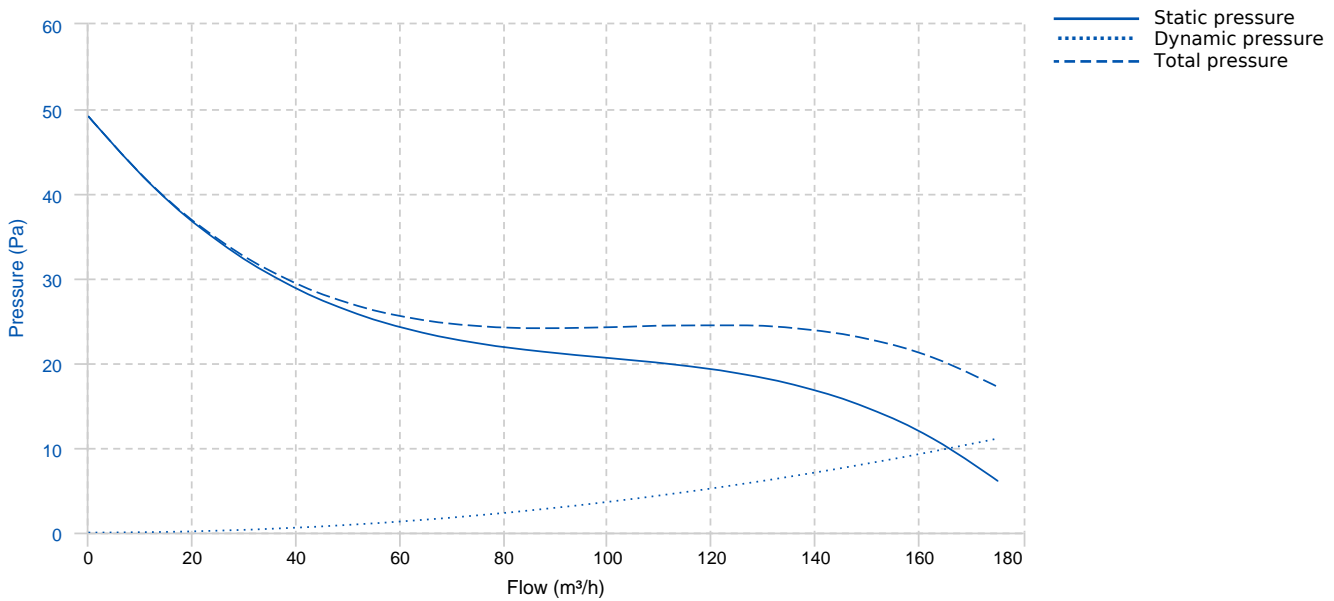
GENERAL DATA



axial fans (wall installation)

- Plastic resin construction resistant to impact and aging due to sun exposure ("UV resistant").
- Nominal diameter 100 mm
- AC motor with shaft mounted on ball bearing support, directly combined with a helical-centrifugal plastic impeller.
- Maximum flow rate 90 m³/h
- Equipped with butterfly non-return valve as standard to avoid unwanted air re-entry when turned off.
- Degree of protection IP45, which guarantees the possibility of installation in Zone 1 of the bathroom according to the international standard IEC 60364-7.
- Safety certified IMQ.

PERFORMANCE CURVE

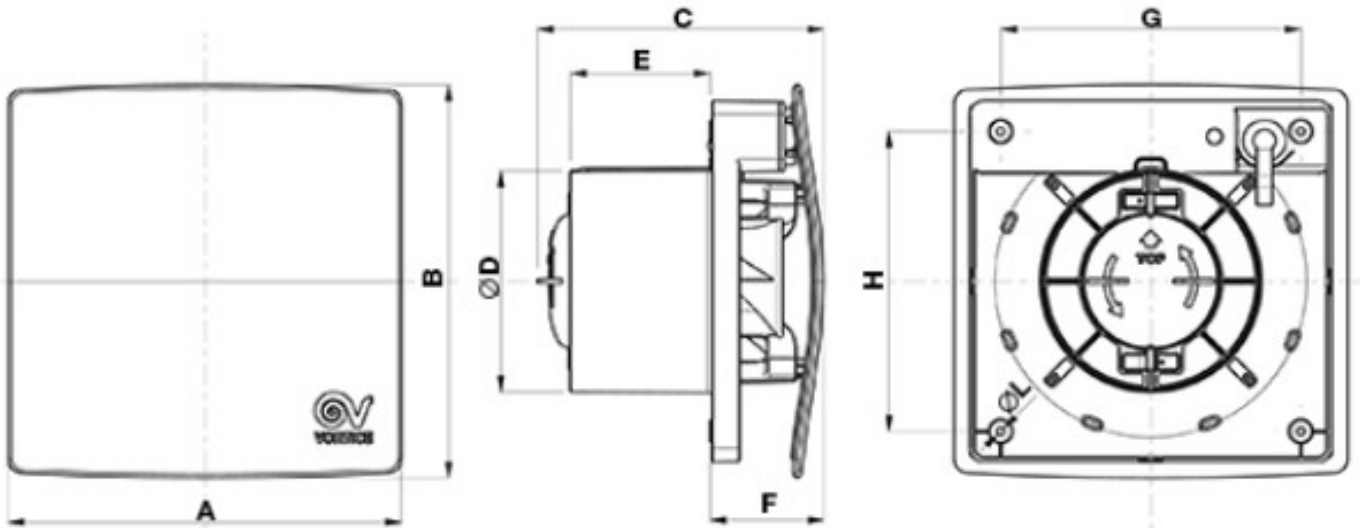


TECHNICAL DATA

Fan

Approx. weight	0.77 kg	Max. Flow	175 m ³ /h
----------------	---------	-----------	-----------------------

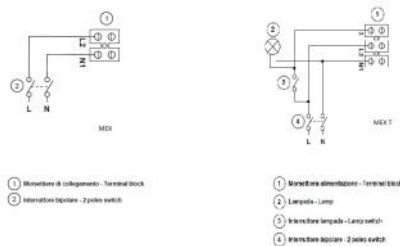
DIMENSIONS



Dimensions (mm)

A	193	B	193	C	138	DØ	119	E	71
F	53	G	152	H	152	LØ	3.5		

WIRING DIAGRAM



ACCESSORIES