

VORT-MEX 120/5" LL 1S (11333)

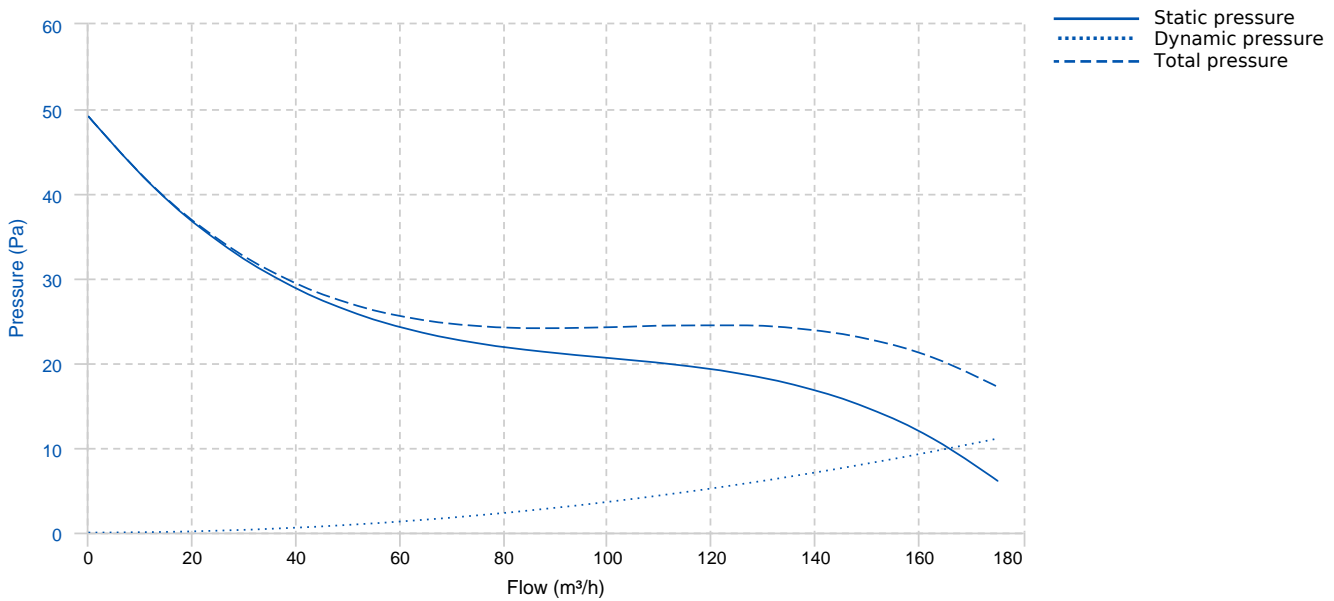
GENERAL DATA



axial fans (wall installation)

- Plastic resin construction resistant to impact and aging due to sun exposure ("UV resistant").
- Nominal diameter 100 mm
- AC motor with shaft mounted on ball bearing support, directly combined with a helical-centrifugal plastic impeller.
- Maximum flow rate 90 m³/h
- Equipped with butterfly non-return valve as standard to avoid unwanted air re-entry when turned off.
- Degree of protection IP45, which guarantees the possibility of installation in Zone 1 of the bathroom according to the international standard IEC 60364-7.
- Safety certified IMQ.

PERFORMANCE CURVE

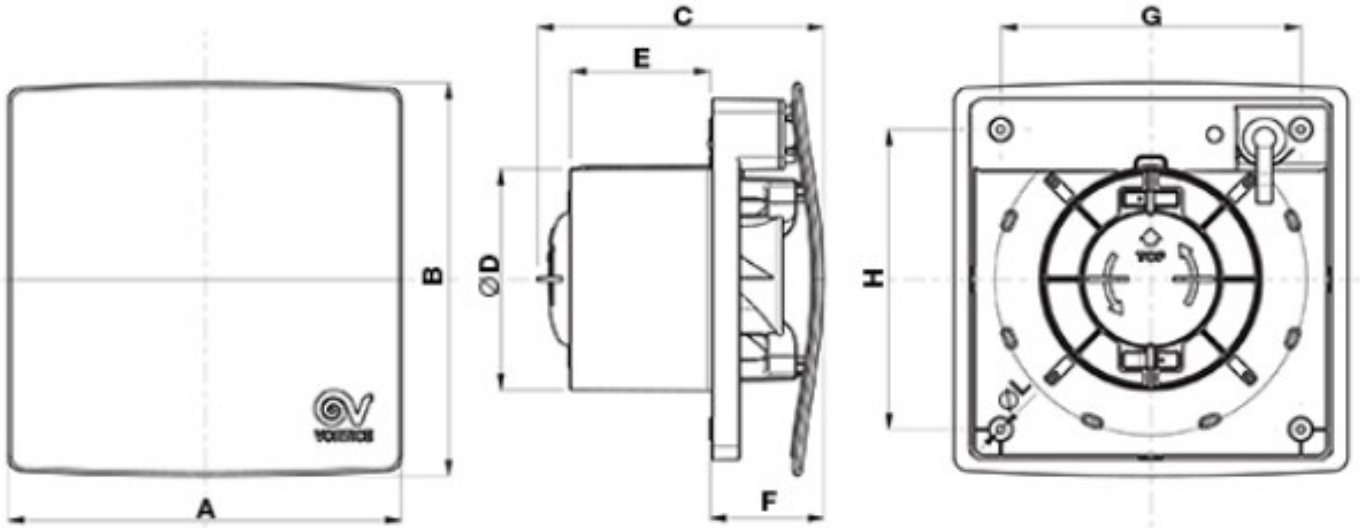


TECHNICAL DATA

Fan

| | | | |
|----------------|---------|-----------|-----------------------|
| Approx. weight | 0.77 kg | Max. Flow | 175 m ³ /h |
|----------------|---------|-----------|-----------------------|

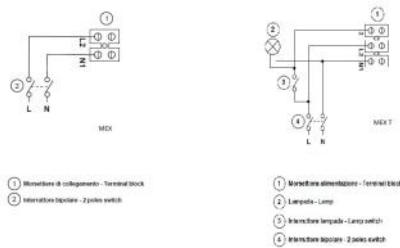
DIMENSIONS



Dimensions (mm)

| | | | | | | | | | |
|---|-----|---|-----|---|-----|----|-----|---|----|
| A | 193 | B | 193 | C | 138 | DØ | 119 | E | 71 |
| F | 53 | G | 152 | H | 152 | LØ | 3.5 | | |

WIRING DIAGRAM



ACCESSORIES