

VORT-ME 120/5" LL T PIR (11273)

GENERAL DATA

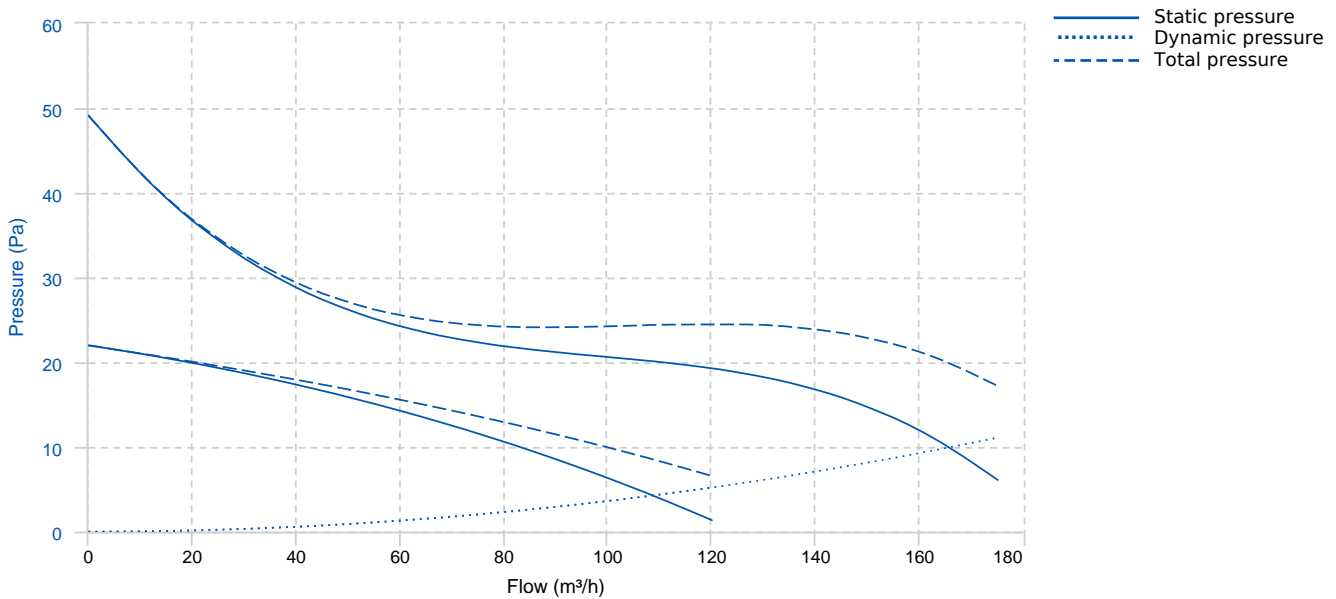


MIXED FLOW FAN

- Mixed flow fan with low decibel rating
- Straightening vanes to improve airflow
- Wall installation only
- Butterfly backdraught shutter
- IP45 rated - can be installed in Zone I

• Material: UV resistant white plastic (prevents ageing caused by exposure to sunlight). Motor protected against thermal overload, with shaft turning in ball bearings; 2 operating speeds controlled electronically from pcb. Equipped with non-return damper preventing unwanted backdraught when the fan is off. • IMQ safety certification.

PERFORMANCE CURVE

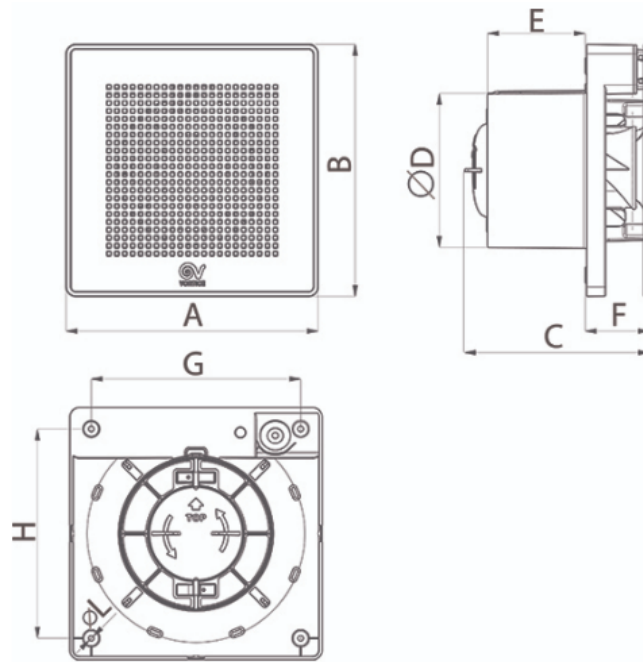


TECHNICAL DATA

Fan

Approx. weight	0.77 kg	Max. Flow	175 m³/h
----------------	---------	-----------	----------

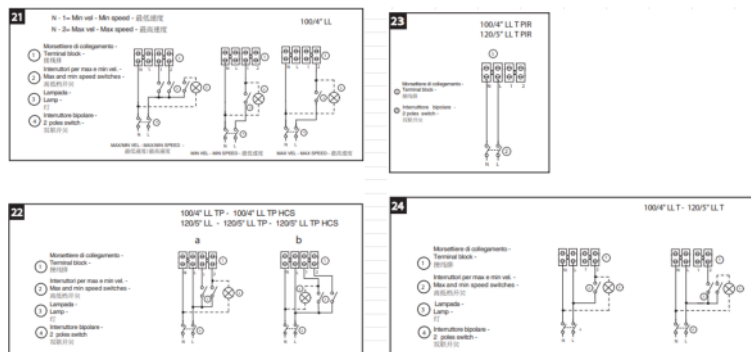
DIMENSIONS



Dimensions (mm)

A	179	B	179	C	128.5	DØ	118	E	71
F	42.5	G	152	H	152	LØ	3.5	M	44

WIRING DIAGRAM



ACCESSORIES