

VORT-ME 120/5" LL (11270)

GENERAL DATA

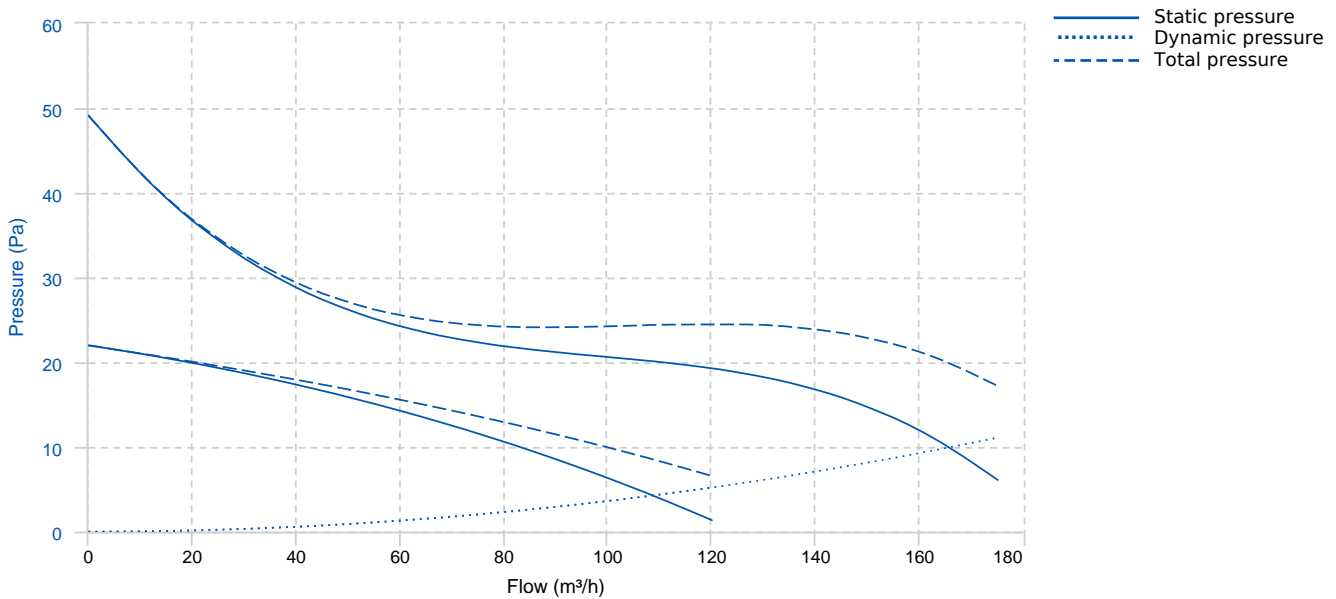


MIXED FLOW FAN

- Mixed flow fan with low decibel rating
- Straightening vanes to improve airflow
- Wall installation only
- Butterfly backdraught shutter
- IP45 rated - can be installed in Zone I

- Material: UV resistant white plastic (prevents ageing caused by exposure to sunlight). Motor protected against thermal overload, with shaft turning in ball bearings; 2 operating speeds controlled electronically from pcb. Equipped with non-return damper preventing unwanted backdraught when the fan is off.
- IMQ safety certification.

PERFORMANCE CURVE

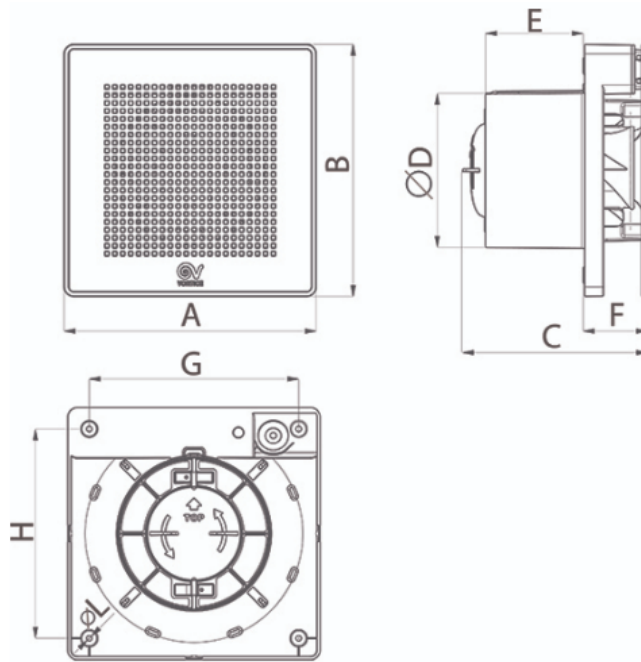


TECHNICAL DATA

Fan

| | | | |
|----------------|---------|-----------|----------|
| Approx. weight | 0.77 kg | Max. Flow | 175 m³/h |
|----------------|---------|-----------|----------|

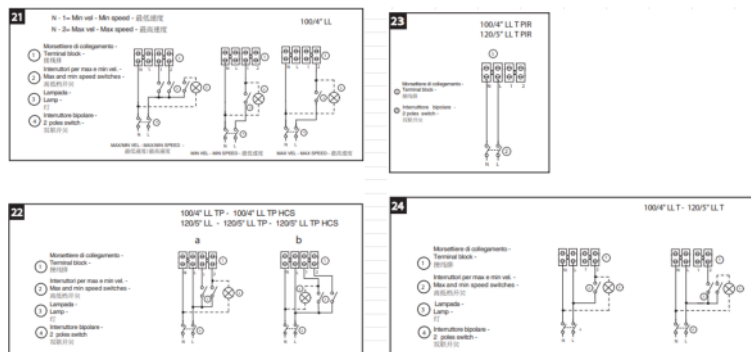
DIMENSIONS



Dimensions (mm)

| | | | | | | | | | |
|---|------|---|-----|---|-----|----|-----|---|----|
| A | 179 | B | 179 | C | 127 | DØ | 118 | E | 71 |
| F | 42.5 | G | 152 | H | 152 | LØ | 3.5 | | |

WIRING DIAGRAM



ACCESSORIES