

VORT-ME 100/4" LL T (11264)

GENERAL DATA

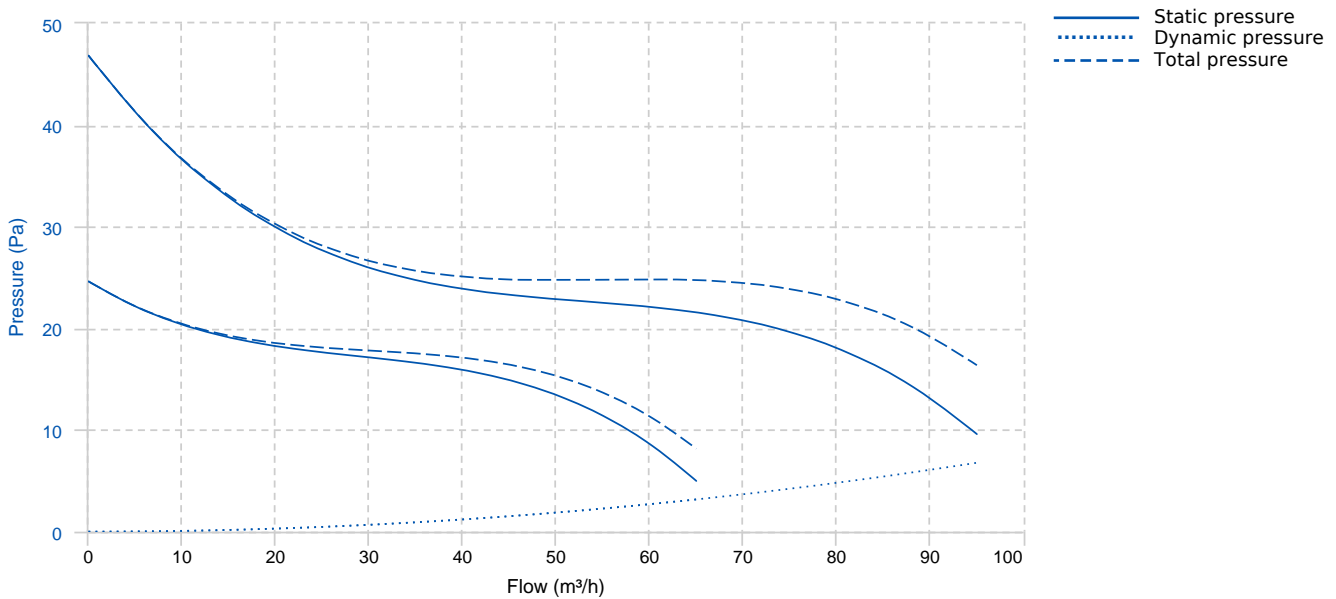


MIXED FLOW FAN

- Mixed flow fan with low decibel rating
- Straightening vanes to improve airflow
- Wall installation only
- Butterfly backdraught shutter
- IP45 rated - can be installed in Zone I

• Material: UV resistant white plastic (prevents ageing caused by exposure to sunlight). Motor protected against thermal overload, with shaft turning in ball bearings; 2 operating speeds controlled electronically from pcb. Equipped with non-return damper preventing unwanted backdraught when the fan is off. • IMQ safety certification.

PERFORMANCE CURVE

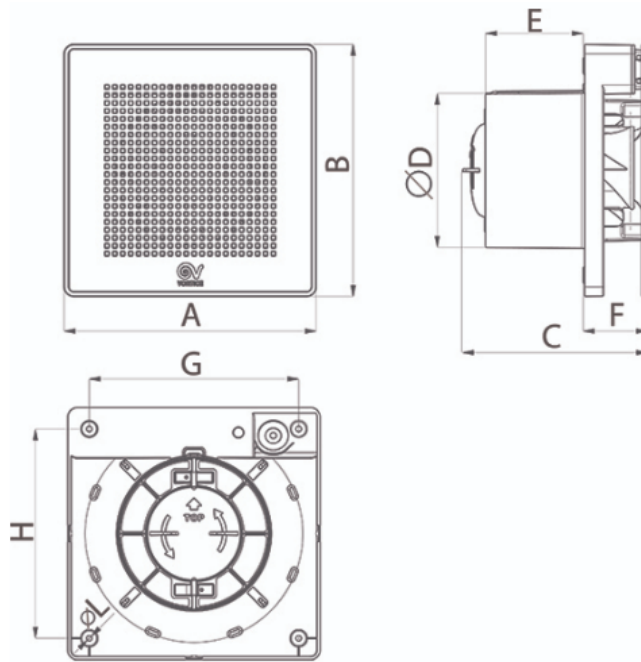


TECHNICAL DATA

Fan

Approx. weight	0.6 kg	Max. Flow	95 m³/h
----------------	--------	-----------	---------

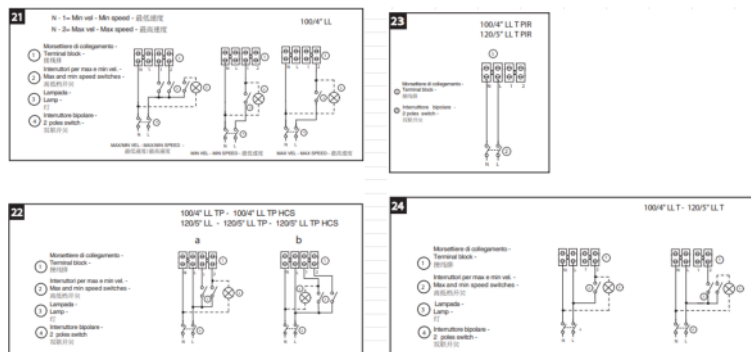
DIMENSIONS



Dimensions (mm)

A	159	B	159	C	116.5	DØ	98	E	61.5
F	40.5	G	132	H	132	LØ	3.5		

WIRING DIAGRAM



ACCESSORIES