

## VORT-ME 100/4" LL T PIR (11263)

### GENERAL DATA

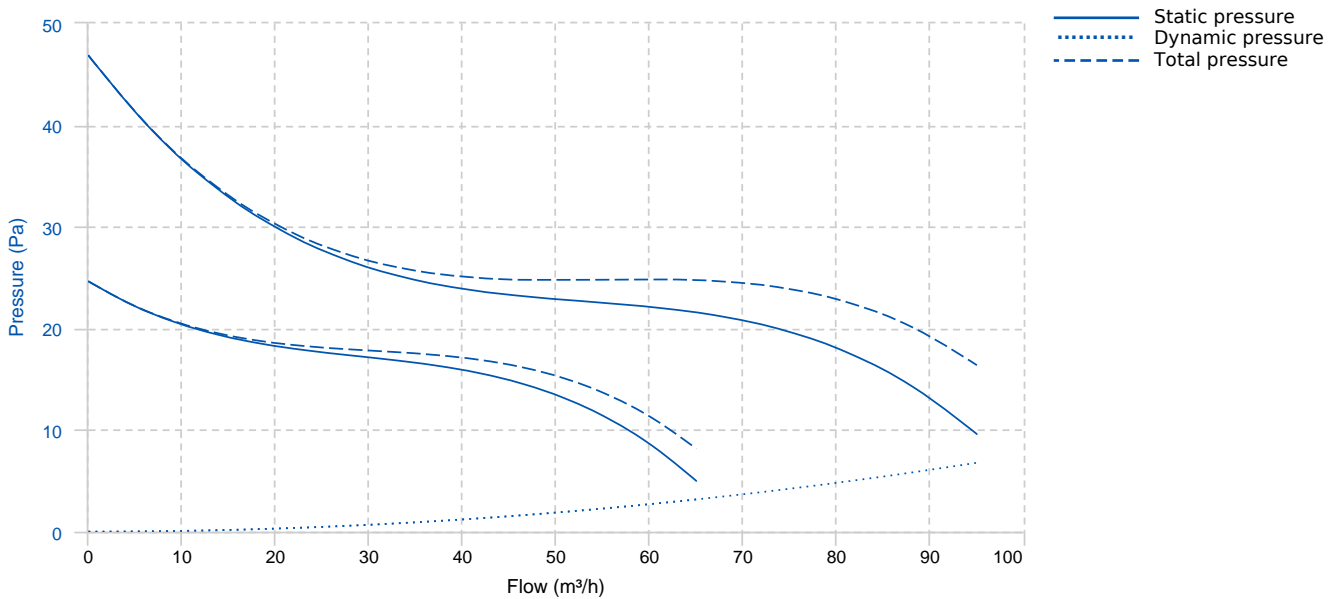


#### MIXED FLOW FAN

- Mixed flow fan with low decibel rating
- Straightening vanes to improve airflow
- Wall installation only
- Butterfly backdraught shutter
- IP45 rated - can be installed in Zone I

- Material: UV resistant white plastic (prevents ageing caused by exposure to sunlight). Motor protected against thermal overload, with shaft turning in ball bearings; 2 operating speeds controlled electronically from pcb. Equipped with non-return damper preventing unwanted backdraught when the fan is off.
- IMQ safety certification.

### PERFORMANCE CURVE

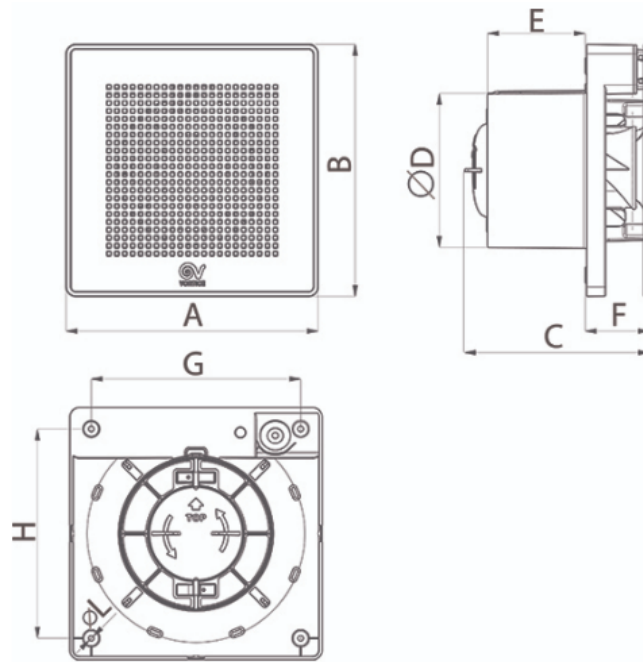


### TECHNICAL DATA

#### Fan

|                |        |           |         |
|----------------|--------|-----------|---------|
| Approx. weight | 0.6 kg | Max. Flow | 95 m³/h |
|----------------|--------|-----------|---------|

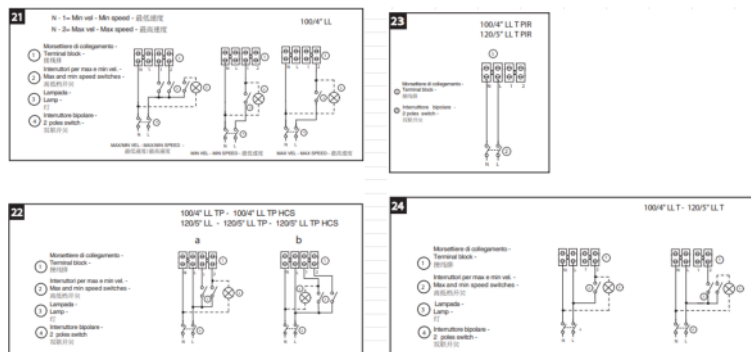
## DIMENSIONS



### Dimensions (mm)

|   |      |   |     |   |     |    |     |   |      |
|---|------|---|-----|---|-----|----|-----|---|------|
| A | 159  | B | 159 | C | 118 | DØ | 98  | E | 61.5 |
| F | 40.5 | G | 132 | H | 132 | LØ | 3.5 | M | 42   |

## WIRING DIAGRAM



## ACCESSORIES