

## VORT-MF 150/6" (11125)

### GENERAL DATA

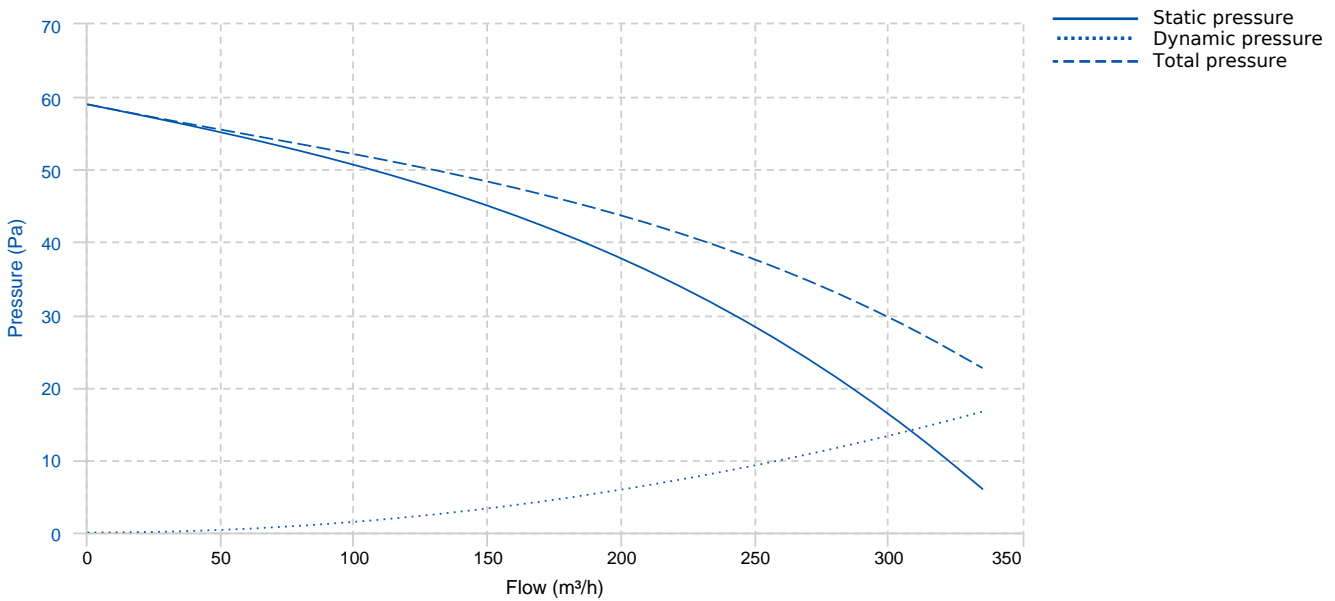


AXIAL FAN WITH ULTRA SLIM FRONT GRILLE

Wall installation - IPX4 rated

- Aging-resistant plastic resin construction due to sun exposure ("UV resistant").
- Nominal diameter 90-100-120-150 mm.
- Motor thermally protected, with shaft mounted on supports with self-lubricating bronzines, combined with a helical impeller in thermoplastic material with wing blades.
- Maximum flow rate 65 m3/h.
- Non-return valve applied to the outlet.
- IMQ and IMQ PERFORMANCE certified safety and performance.
- Controllable in speed by Vortice regulator.

### PERFORMANCE CURVE

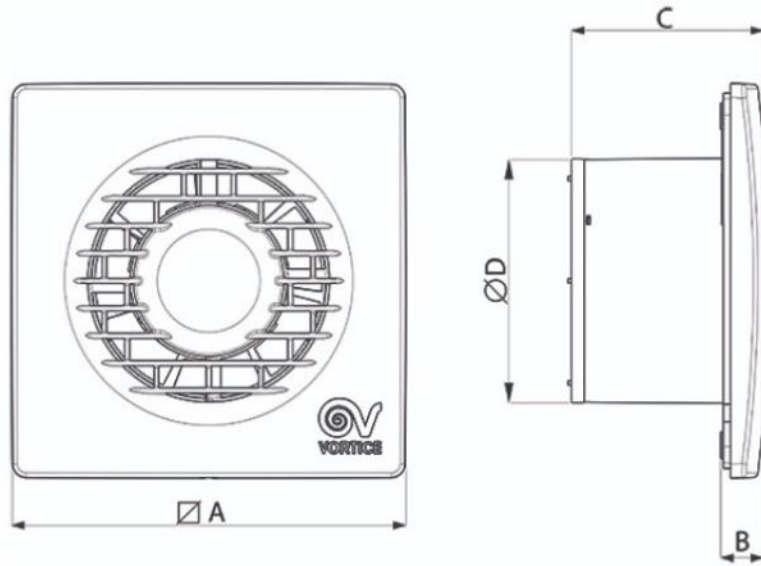


### TECHNICAL DATA

#### Fan

Approx. weight	0.97 kg	Max. Flow	335 m³/h
----------------	---------	-----------	----------

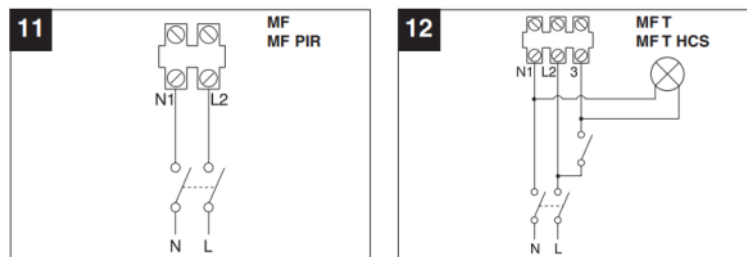
## DIMENSIONS



### Dimensions (mm)

A	214	B	17	C	96	D	156
---	-----	---	----	---	----	---	-----

## WIRING DIAGRAM



## ACCESSORIES