

VORT-MF 120/5" (11124)

GENERAL DATA

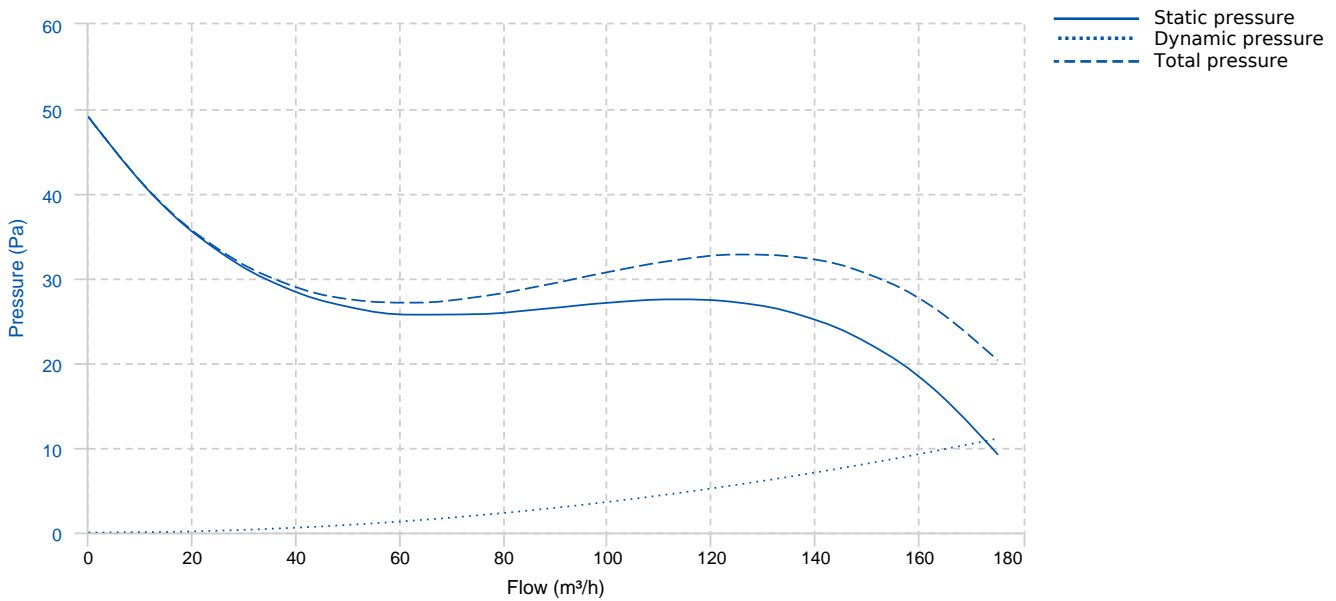


AXIAL FAN WITH ULTRA SLIM FRONT GRILLE

Wall installation - IPX4 rated

- Aging-resistant plastic resin construction due to sun exposure ("UV resistant").
- Nominal diameter 90-100-120-150 mm.
- Motor thermally protected, with shaft mounted on supports with self-lubricating bronzines, combined with a helical impeller in thermoplastic material with wing blades.
- Maximum flow rate 65 m3/h.
- Non-return valve applied to the outlet.
- IMQ and IMQ PERFORMANCE certified safety and performance.
- Controllable in speed by Vortice regulator.

PERFORMANCE CURVE



TECHNICAL DATA

Fan

RPM

-

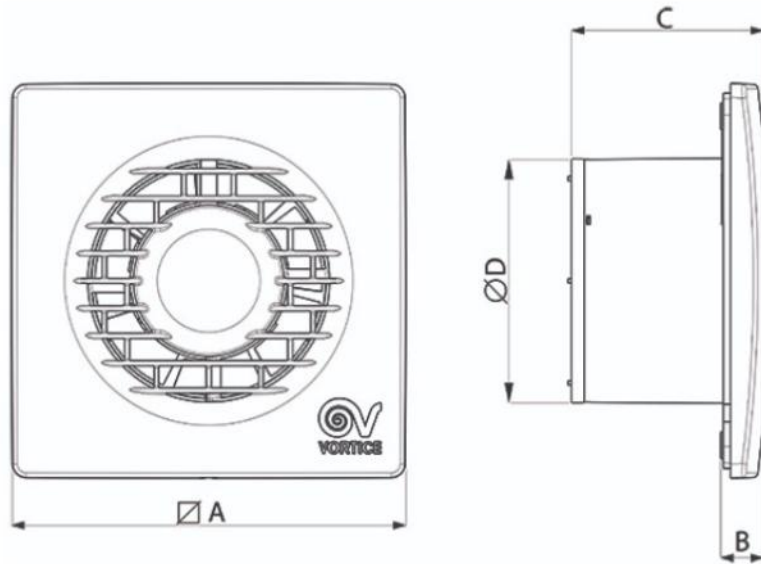
Approx. weight

0.61 kg

Max. Flow

175 m³/h

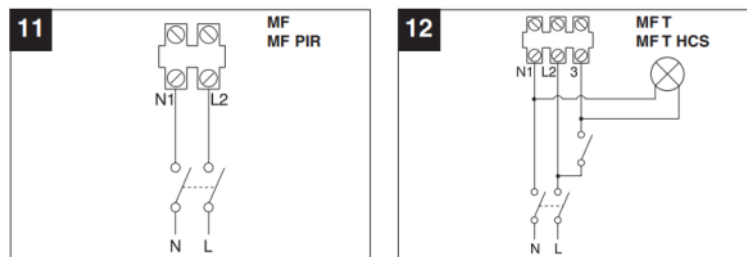
DIMENSIONS



Dimensions (mm)

A	179	B	17	C	89	D	119
---	-----	---	----	---	----	---	-----

WIRING DIAGRAM



ACCESSORIES