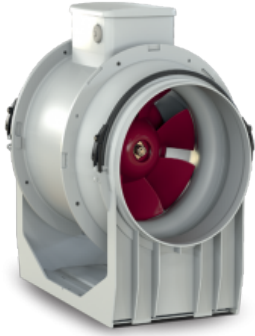


LINEO 100 Q (17143)

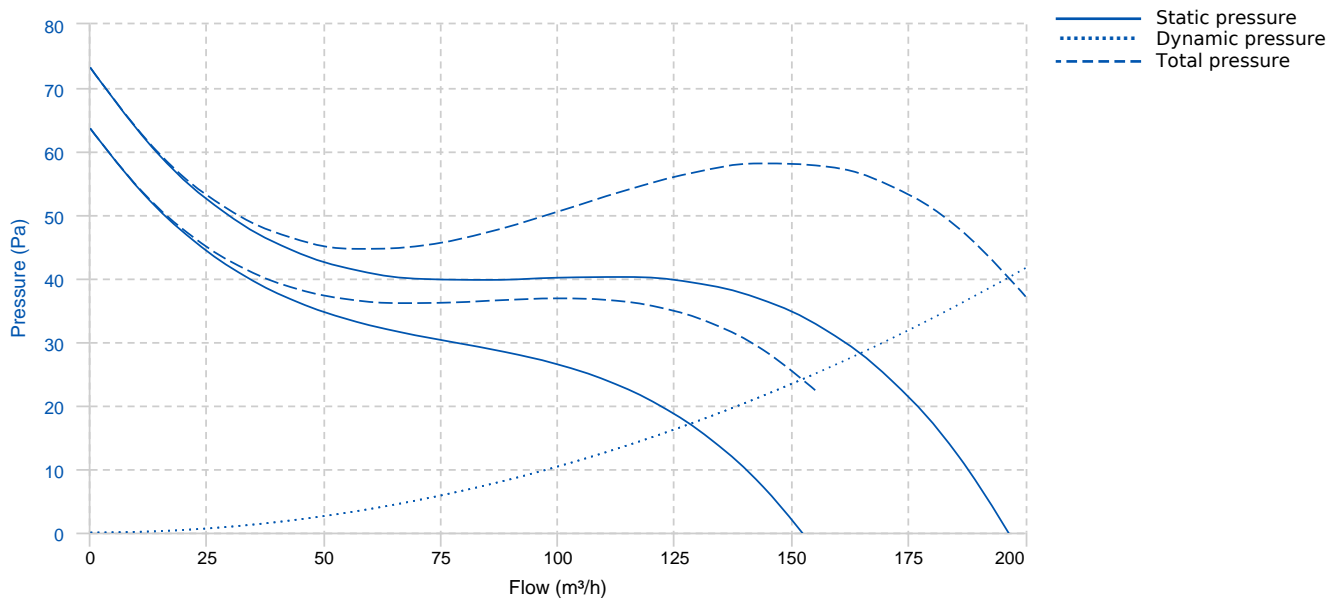
GENERAL DATA



Mixed flow fans The LINEO series appliances are driven by 3-speed induction motors, useful to reach the optimal compromise between performance, fuel consumption and noise emissions. It is also possible to adjust the speed by means of one of the VORTICE devices supplied as option. Timer version available (T)

- Fire resistant plastic resin construction, class E2, according to ISO EN 11925-2:2010, in areas overlooking the engine and electrical components.
- Thermally protected induction motor, with shaft mounted on ball bearing supports, combined with a helical-centrifugal impeller.
- High degree of water resistance: IPX5 (if installed in duct).
- Controllable at speed by Vortice regulating devices.

PERFORMANCE CURVE

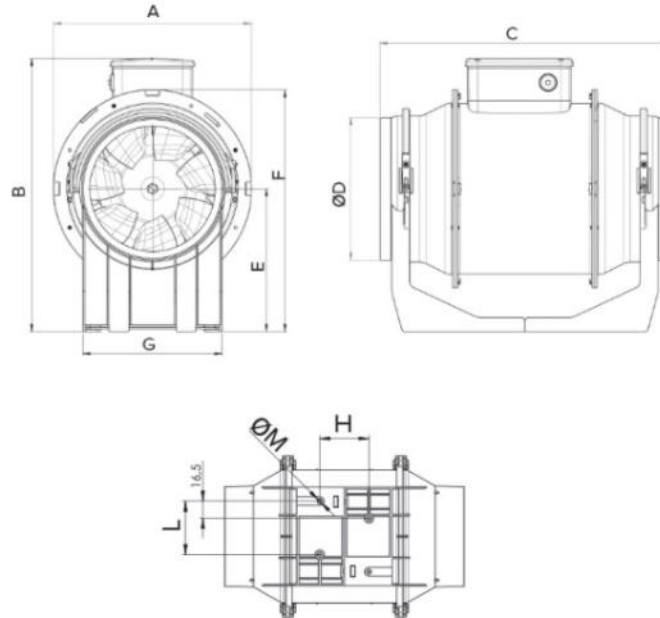


TECHNICAL DATA

Fan

Approx. weight	1.25 kg	Max. Flow	200 m³/h
----------------	---------	-----------	----------

DIMENSIONS



Dimensions (mm)

A	156	B	174	C	231	D diam.	96	E	82
F	152	G	95						

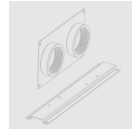
WIRING DIAGRAM

FOR ELECTRICAL SCHEMES
PLEASE SEE THE USER MANUAL

ACCESSORIES



PROTECTION GRILLE
LINEO-G 100 (protection grille)
REF: 22701



Kit for parallel application.
LINEO-PF 100 (parallel installation kit)
REF: 22577



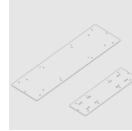
Coupling for series application.
LINEO-C 100 (series installation kit)
REF: 22584



Potentiometer
POT-IT (potentiometer)
REF: 12826



Electronic speed controller
IREM-D (speed controller)
REF: 12867



Bracket for series application.
LINEO-SF 500 (series installation plate)
REF: 22593



Potentiometer
POT (potentiometer)
REF: 12828



SENSOR
C TEMP (temperature sensor)
REF: 12992



SENSOR
C HCS (humidity sensor)
REF: 12994



SENSOR
C TIMER
REF: 12999



SENSOR
C SMOKE (smoke sensor)
REF: 12993



SENSOR
C PIR (passive infrared sensor)
REF: 12998



• Two speeds switch.
DUO
REF: 22914



Controller
C 1.5 (electronic speed controller)
REF: 12966



backdraught shutte
IN-LINE S 100 (shutter)
REF: 22551