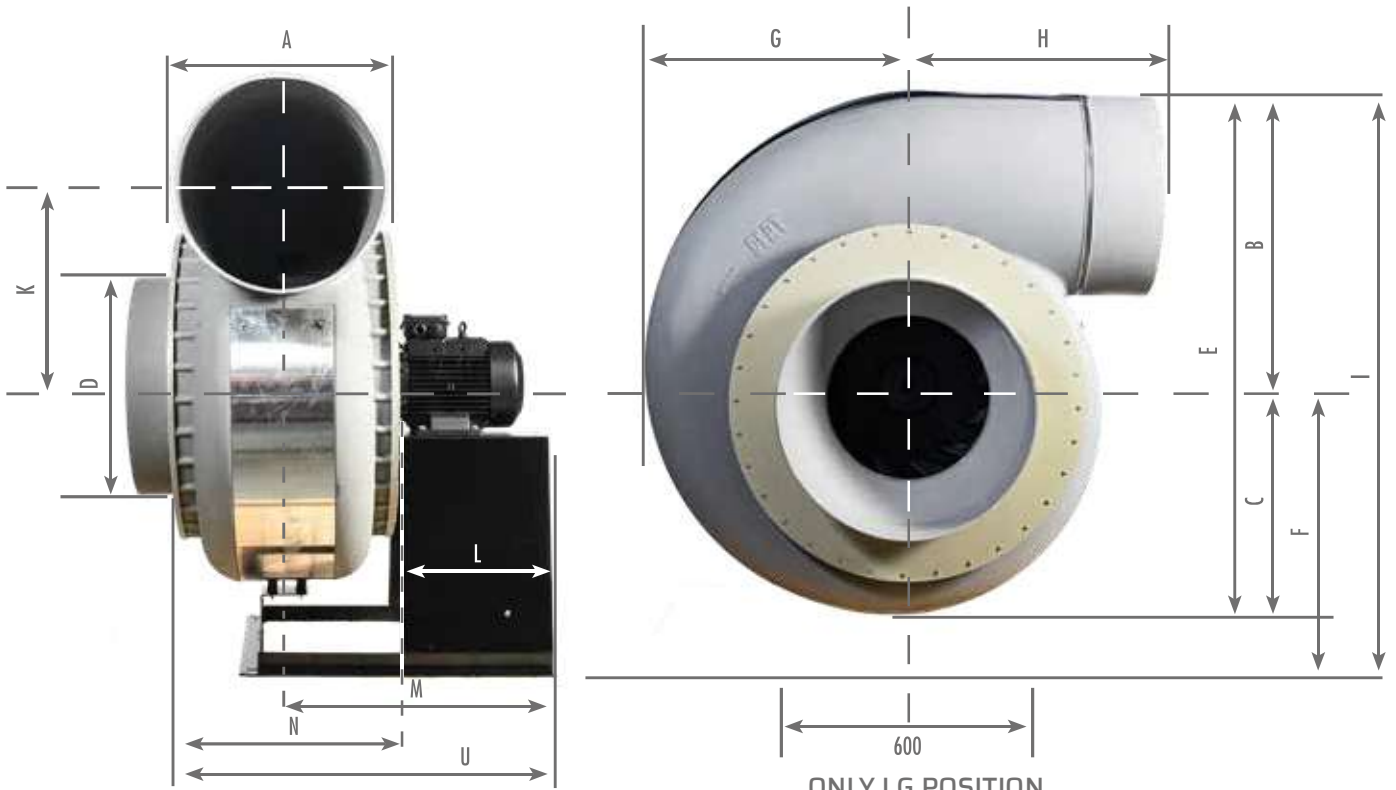


SEAT SERIES

SEAT 50



ONLY LG POSITION

Fan includes:

- Metal stand
- Aluminium protection plate

Available in 

Dimension (mm) - Metal stand not included (see accessories)															
A	D	B	C	E	F	G	H	I	I LG90	K+F	K	L	M	N	U
500	600	765	550	1315	740	660	610	1350	1505	1255	515	400	715	620	1020

Left Rotation (Counter-Clockwise)



LG 180



LG 225



LG 270



LG 315



LG 0



LG 45



LG 90



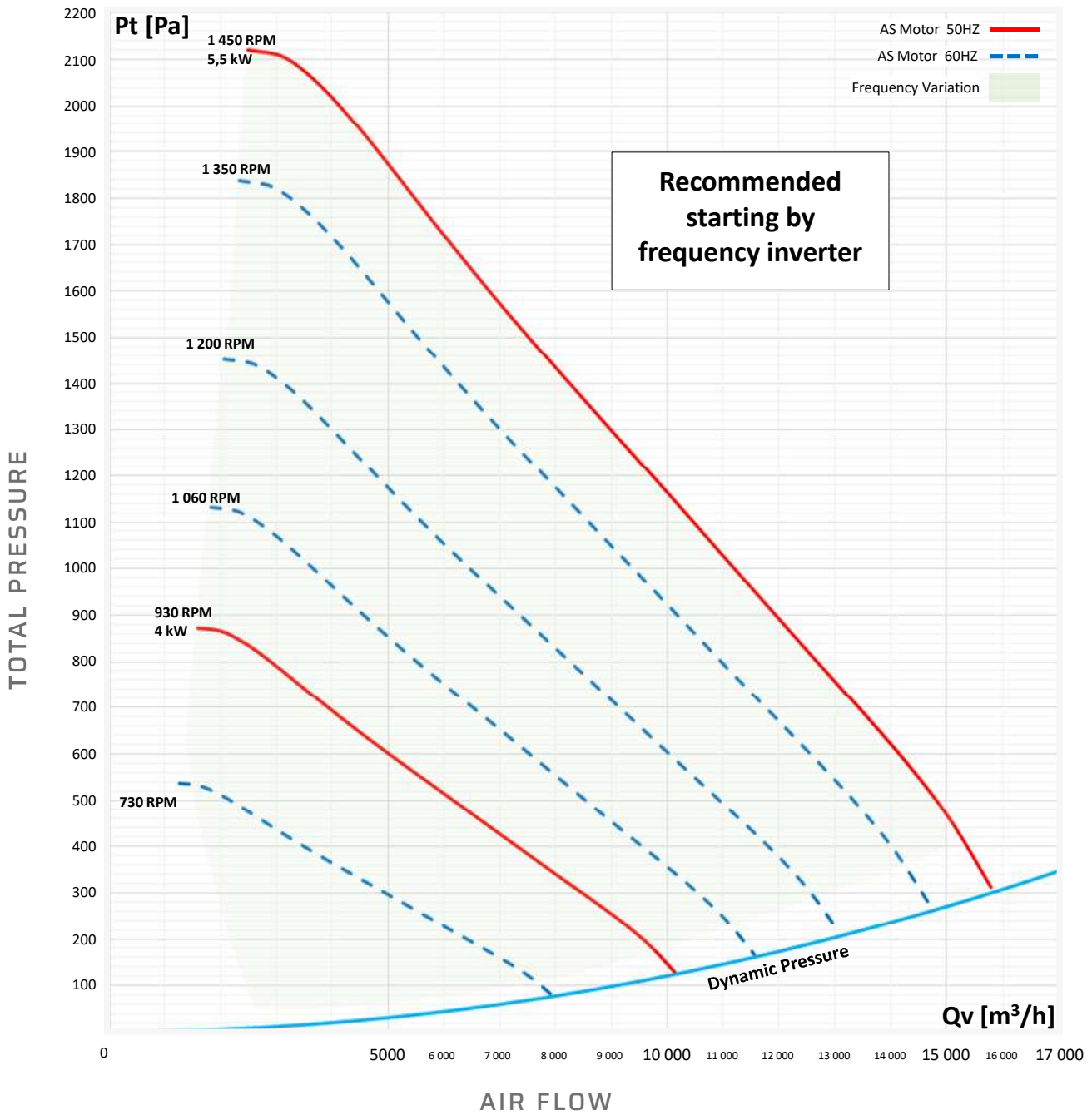
LG 135

NOISE LEVELS


Speed (T/min)	Acoustic (dB)				Frequency Octave (Hz)							
	Qv (m³/h)	Sp (Pa)	LwA dB(A)	LpA* dB(A)	63	125	250	500	1000	2000	4000	8000
930	3165	723	79	58	95	87	82	73	71	65	58	53
	5100	533	78	58	93	83	80	74	74	64	57	52
1450	4935	1757	88	68	105	96	92	83	81	75	68	63
	7950	1300	88	67	103	93	90	83	84	74	67	62

*Acoustic pressure Lp at 3 meters - Outlet acoustic data available on request.

SEAT SERIES - SEAT 50



ELECTRICAL FEATURES

Motor	Power (kW)	Motor RPM	Voltage (V)	Intensity (A)	Weight (kg)	Reference Number
IP55 Asynchronous Three-Phase	4	930	400/690	9,5/5,5	138,2	51501000
	5,5	1450	400/690	10,5/6,09	133,8	51502000
IP66 Asynchronous Three-Phase ATEX 	5,5	1450	400/690	10,5/6,09	133,8	51502003

Mandatory PTC Sensor for ATEX motor with Frequency Inverter.

SEAT SERIES

STORM SERIES

JET SERIES

MOUNTING OPTIONS

FREQUENCY INVERTER

ACCESSORIES

AIR FLOW CONTROLLERS