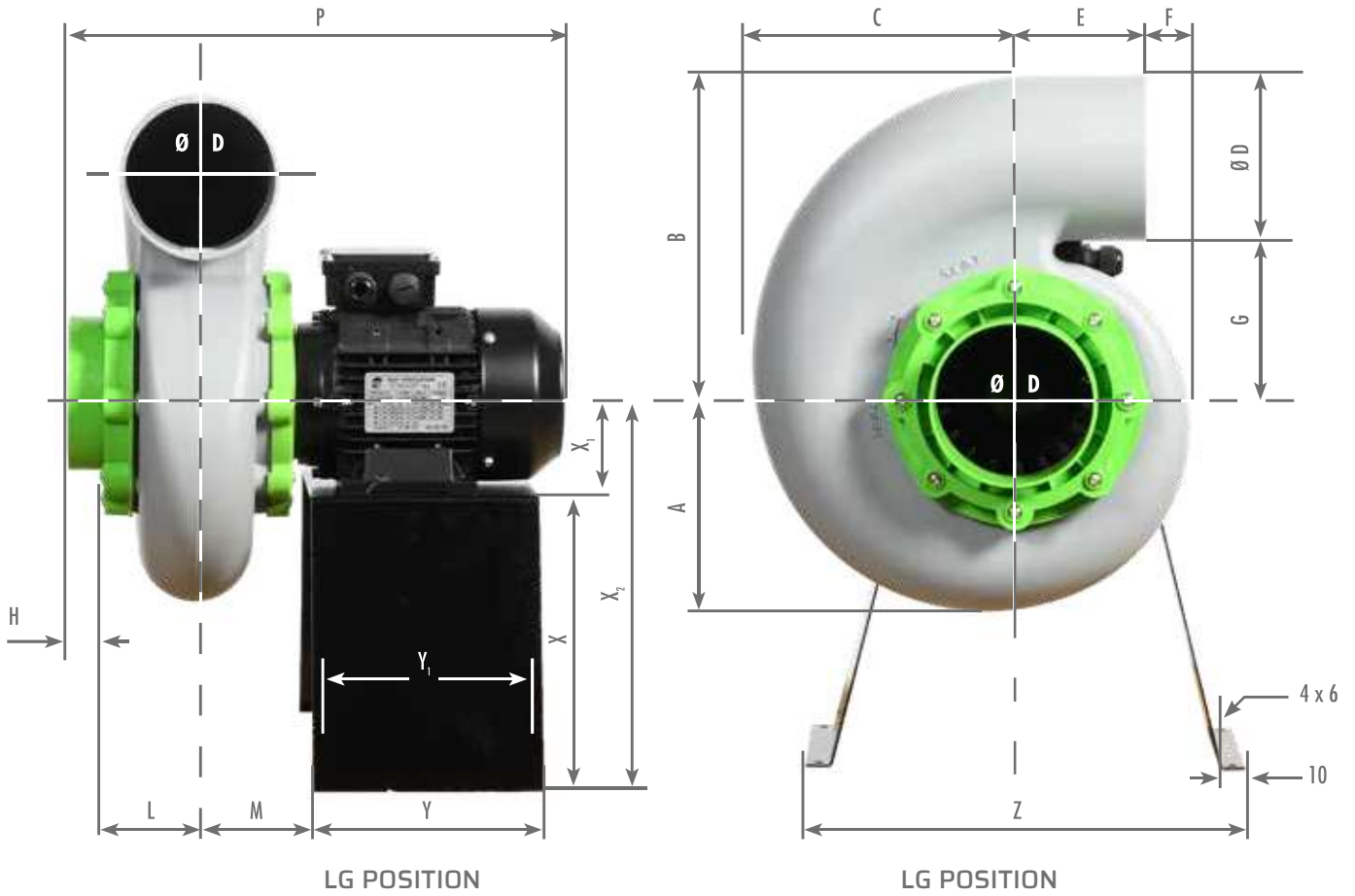


SEAT SERIES

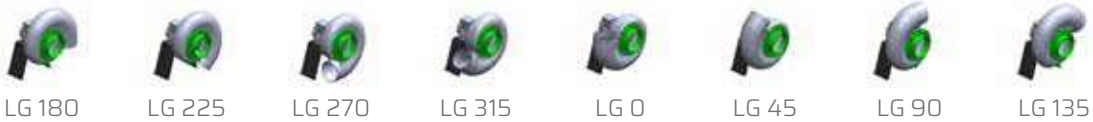
SEAT 15



Available in  

Dimension (mm) - Metal stand not included (see accessories)																
A	B	C	ØD	E	F	G	H	L	M	P	Y	Y ₁	Z	X	X ₁	X ₂
170	240	203	125	100	32	115	30	70	80	360	180	160	340	240	71	311

Left Rotation (Counter-Clockwise)



Right Rotation (Clockwise)

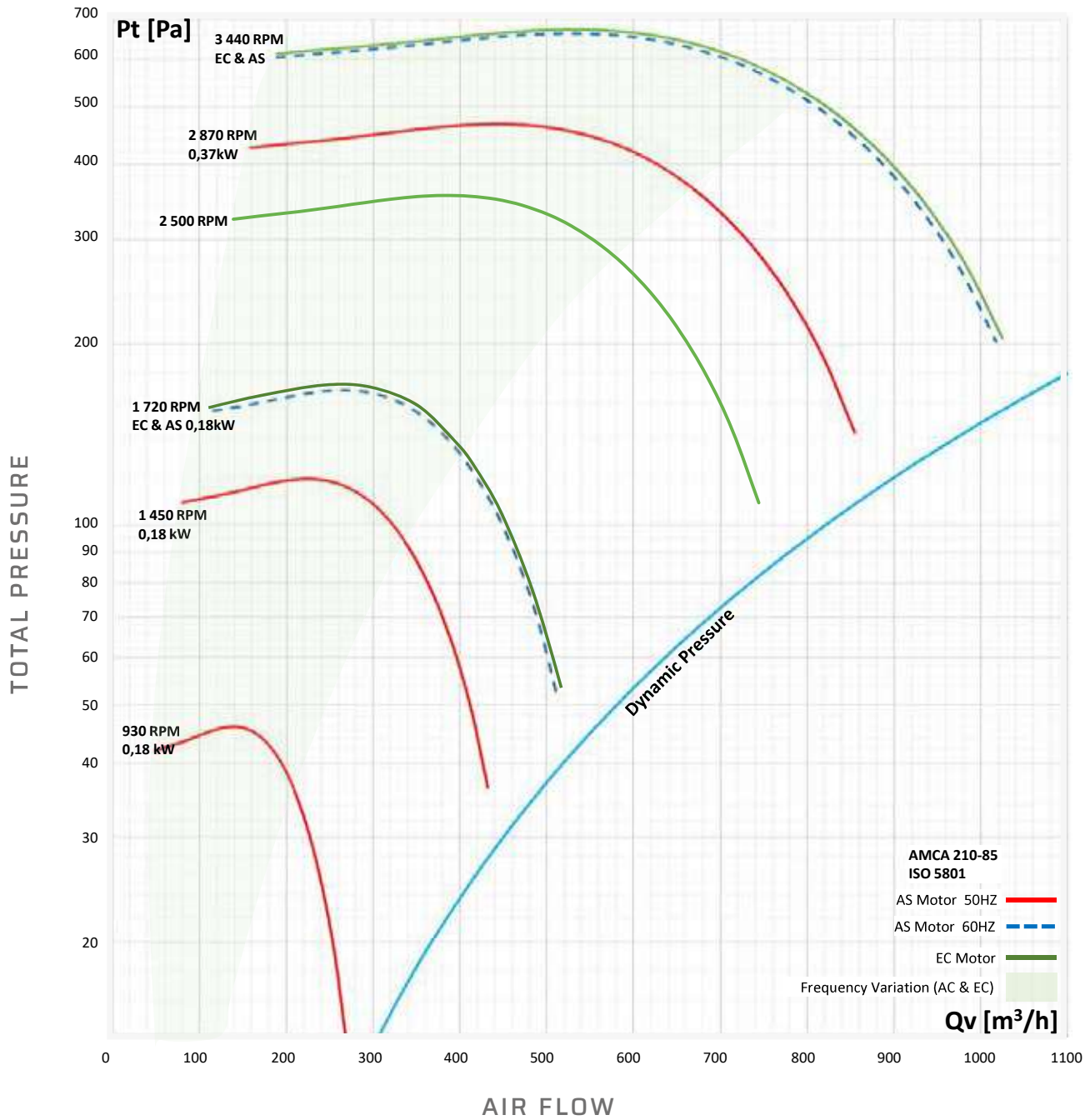


NOISE LEVELS

Speed T/min	Acoustic (dB)				Frequency Octave (Hz)							
	Qv (m ³ /h)	Sp (Pa)	LwA dB(A)	LpA* dB(A)	63	125	250	500	1000	2000	4000	8000
1450	245	106	67	46	82	76	71	64	59	48	42	24
2870	485	414	81	61	97	91	86	79	74	63	57	49

*Acoustic pressure Lp at 3 meters - Outlet acoustic data available on request.

SEAT SERIES - SEAT 15



ELECTRICAL FEATURES

Motor	Power (kW)	Motor RPM	Voltage (V)	Intensity (A)	Weight (kg)	Reference Number
IP55 Asynchronous Single-Phase	0,18	1450	230	1,4	8,53	51152010
	0,37	2870	230	2,52	8,23	51153010
IP65 EC Single-Phase	0,6	1720	220/277	4,30	6,8	52152010
	0,6	2500	220/277	4,30	6,8	52153010
IP55 Asynchronous Three-Phase	0,18	930	230/400	1,22/0,7	8,14	51151000
	0,18	1450	230/400	1,09/0,63	8,24	51152000
	0,37	2870	230/400	1,64/0,94	8,23	51153000
IP66 EC Three-Phase	1,2	3440	360/460	5,6	7,7	52152000
IP66 Asynchronous Three-Phase ATEX	0,18	1450	230/400	1,13/0,65	7,9	51152003
	0,37	2870	230/400	2,1/1,2	10,45	51153003

Mandatory PTC Sensor for ATEX motor with Frequency Inverter.